

(21) Application No: **2111822.9**
(22) Date of Filing: **18.08.2021**
(30) Priority Data:
(31) **2100009** (32) **01.01.2021** (33) **GB**

(51) INT CL:
B65G 69/24 (2006.01) **B61D 47/00** (2006.01)
B65G 69/22 (2006.01) **B65G 69/28** (2006.01)

(56) Documents Cited:
WO 1992/007731 A1

(58) Field of Search:
INT CL **B60P, B61D, B65G**
Other: **WPI, EPODOC**

(71) Applicant(s):
Rail Cargoliner Ltd
3rd Floor Office, 207 Regent Street, London,
W1B 3HH, United Kingdom

(72) Inventor(s):
Michael James Worley

(74) Agent and/or Address for Service:
ipconsult
21A Commercial Road, Swanage, BH19 1DF,
United Kingdom

(54) Title of the Invention: **A cargo loading device**
Abstract Title: **Cargo loading device**

(57) A cargo loader (figure 1a, 99) slung in an opening defined by a door 50 of a train carriage 100, the cargo loader comprising a platform 10 supported on a moveable strut 9 mounted below a solebar of the carriage, the platform when stowed lying within the carriage and flush with a portion of the carriage floor, such that when the moveable strut articulates the platform is displaced by an actuator 62 to a further position, and a lift is operable to lower and raise the platform between stowed and deployed positions. The carriage may have a modified bulkhead 1 with a cutaway portion defining the opening in which the platform is stowed. The actuator may be a hydraulic actuator and may include a linear rail mounted to a carriage bulkhead. The cargo loader may form part of a rake of carriages and may form part of a freight system for loading and unloading freight.

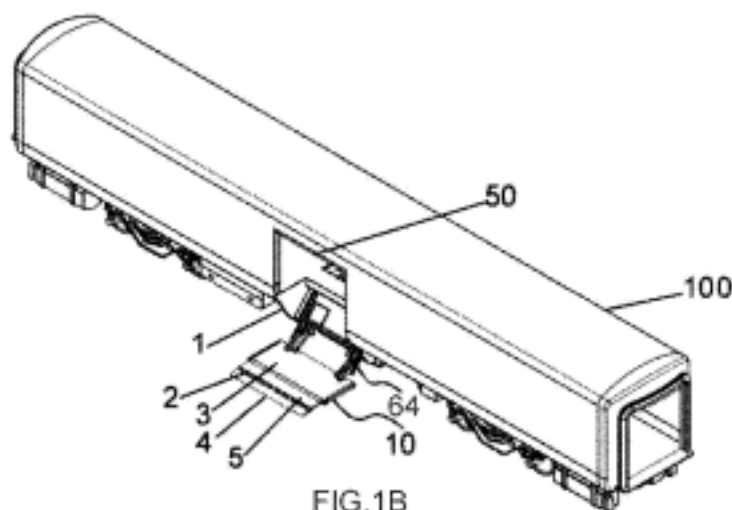


FIG. 1B

This print incorporates corrections made under Section 117(1) of the Patents Act 1977.

At least one drawing originally filed was informal and the print reproduced here is taken from a later filed formal copy.