



- (51) International Patent Classification:
B61D 23/00 (2006.01) *B61D 23/02* (2006.01)
- (21) International Application Number:
PCT/IB2022/050009
- (22) International Filing Date:
02 January 2022 (02.01.2022)
- (25) Filing Language: English
- (26) Publication Language: English
- (30) Priority Data:
2100009.6 01 January 2021 (01.01.2021) GB
2111822.9 18 August 2021 (18.08.2021) GB
- (71) Applicant: RAIL CARGOLINER LTD [GB/GB]; 3rd Floor Office, 207 Regent Street, London Greater London W1B 3HH (GB).
- (72) Inventor: WORLEY, Michael; 3rd Floor Office, 207 Regent Street, London Greater London W1B 3HH (GB).
- (74) Agent: WALKER, Neville; 21A Commercial Road, Swanage Dorset BH19 1DF (GB).
- (81) Designated States (unless otherwise indicated, for every kind of national protection available): AE, AG, AL, AM, AO, AT, AU, AZ, BA, BB, BG, BH, BN, BR, BW, BY, BZ, CA, CH, CL, CN, CO, CR, CU, CZ, DE, DJ, DK, DM, DO,

DZ, EC, EE, EG, ES, FI, GB, GD, GE, GH, GM, GT, HN, HR, HU, ID, IL, IN, IR, IS, IT, JO, JP, KE, KG, KH, KN, KP, KR, KW, KZ, LA, LC, LK, LR, LS, LU, LY, MA, MD, ME, MG, MK, MN, MW, MX, MY, MZ, NA, NG, NI, NO, NZ, OM, PA, PE, PG, PH, PL, PT, QA, RO, RS, RU, RW, SA, SC, SD, SE, SG, SK, SL, ST, SV, SY, TH, TJ, TM, TN, TR, TT, TZ, UA, UG, US, UZ, VC, VN, WS, ZA, ZM, ZW.

(84) Designated States (unless otherwise indicated, for every kind of regional protection available): ARIPO (BW, GH, GM, KE, LR, LS, MW, MZ, NA, RW, SD, SL, ST, SZ, TZ, UG, ZM, ZW), Eurasian (AM, AZ, BY, KG, KZ, RU, TJ, TM), European (AL, AT, BE, BG, CH, CY, CZ, DE, DK, EE, ES, FI, FR, GB, GR, HR, HU, IE, IS, IT, LT, LU, LV, MC, MK, MT, NL, NO, PL, PT, RO, RS, SE, SI, SK, SM, TR), OAPI (BF, BJ, CF, CG, CI, CM, GA, GN, GQ, GW, KM, ML, MR, NE, SN, TD, TG).

Published:

- with international search report (Art. 21(3))
- in black and white; the international application as filed contained color or greyscale and is available for download from PATENTSCOPE

(54) Title: A CARGO LOADER

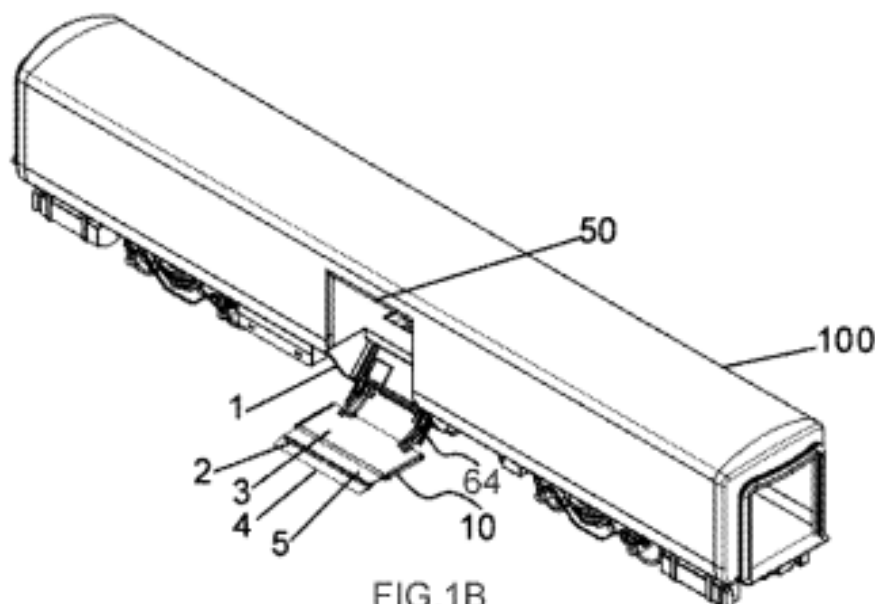


FIG. 1B

(57) Abstract: The present invention relates to a cargo loader for providing a means of aiding users to easily load and unload cargo from a train carriage (100). The cargo loader for a train carriage has a platform 10 that forms a section of the carriage floor in a first position. The platform is arranged to move from the first position to a plurality of further positions, wherein the platform is supported on one or more arms (64), which arms are arranged to move the platform vertically, horizontally, and through inclinations with reference to the floor. The arm or arms are actuated by a plurality of hydraulic actuators.

